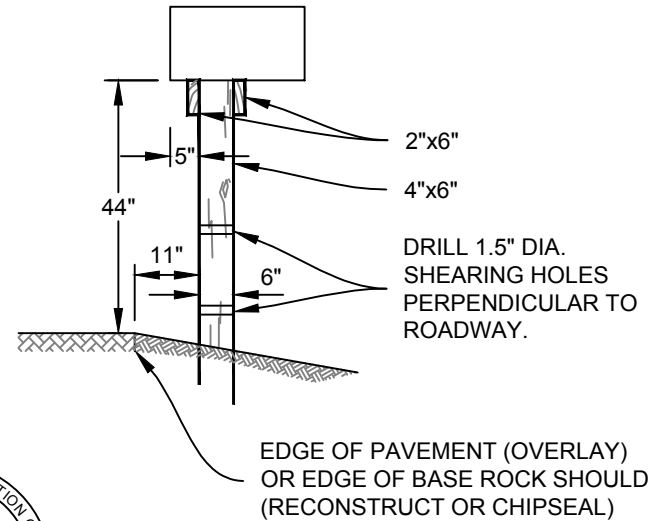
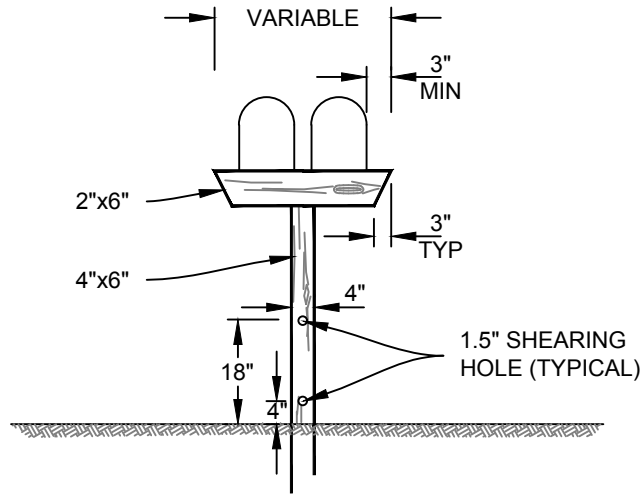


SINGLE UNIT

1 POST - 3 BOXES MAX



NOTES:

1. ALL LUMBER SHALL BE PRESSURE TREATED DOUGLAS FIR, WESTERN HEMLOCK, OR WESTERN PINE.
2. ALL POSTS TO BE SET AT A MINIMUM OF 24" BELOW SURFACE OF THE GROUND.
3. TREAT CUT OR DRILLED PRESSURE TREATED LUMBER WITH JASCO TERMIN 8 GREEN PRESERVATIVE OR APPROVED EQUIVALENT.
4. REINSTALL NEWSPAPER BOXES ON NEW MAILBOX POST OR AS DIRECTED.

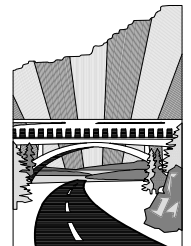


CALL 48 HOURS
BEFORE YOU DIG

JACKSON COUNTY ROADS
MIKE KUNTZ, P.E. COUNTY ENGINEER

Date	By	Revision

JCRD202: MAILBOX STAND-SINGLE	
<small>H:\Engineering\LIBRARY\COUNTY\STD_DWG\CURRENT\RD200-Mailbox\JCRD202-MailboxSingle.dwg</small>	
OCT 2017	NO SCALE



**JACKSON
COUNTY**
Roads