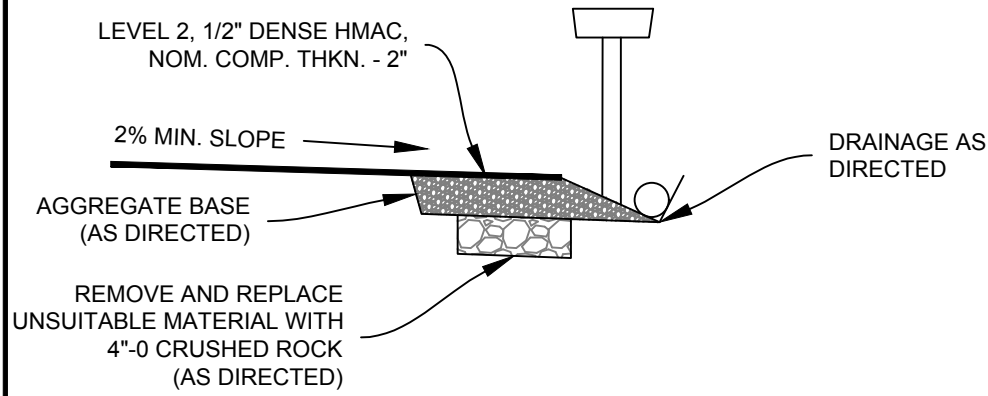


**PLAN VIEW**  
NO SCALE



**SECTION VIEW**  
NO SCALE

- NOTES:**
1. CALL FOR UTILITY LOCATES.  
1-800-332-2344.
  2. PAYMENT PER MAILBOX  
TURNOUT W/O DRIVEWAY.
  3. PROVIDE POSITIVE DRAINAGE  
(2% MIN.).

JACKSON COUNTY ROADS

---

MIKE KUNTZ, P.E.  
COUNTY ENGINEER

Date	By	Revision

JCRD203: MAILBOX  
TURNOUT WITHOUT DRIVEWAY

---

Engineering\LIBRARY\COUNTY\STD\_DWG\CURRENT\RD200-Mailbox\JCRD203-MailboxTurnout.dwg

---

OCT 2017 NO SCALE

