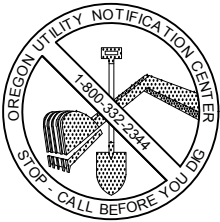
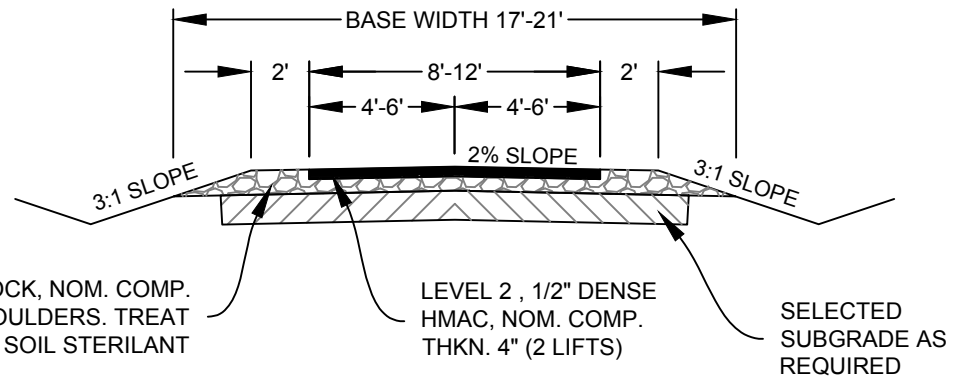


NOTES:

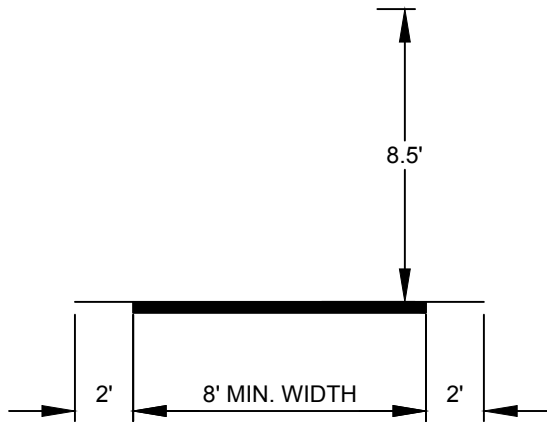
- ENGINEER TO SPECIFY SPECIAL PROVISIONS.



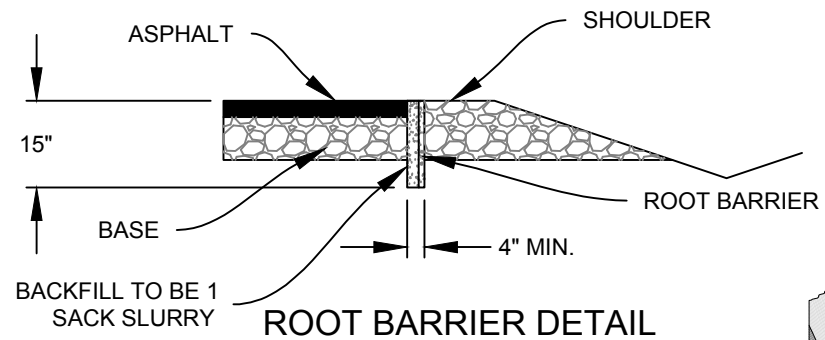
CALL 48 HOURS BEFORE YOU DIG



TYPICAL SECTION



MINIMUM CLEARANCES

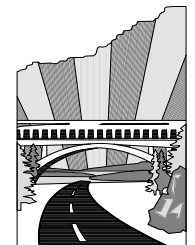


ROOT BARRIER DETAIL

JACKSON COUNTY ROADS
MIKE KUNTZ, P.E. COUNTY ENGINEER

Date	By	Revision

JCRD406: BIKE/PED PATH	
<small>\\Engineering\LIBRARY\COUNTY\STD_DWG\2017\400-MiscRoadway\JCRD406-BikePedPath.dwg</small>	
OCT 2017	NO SCALE



JACKSON COUNTY
Roads