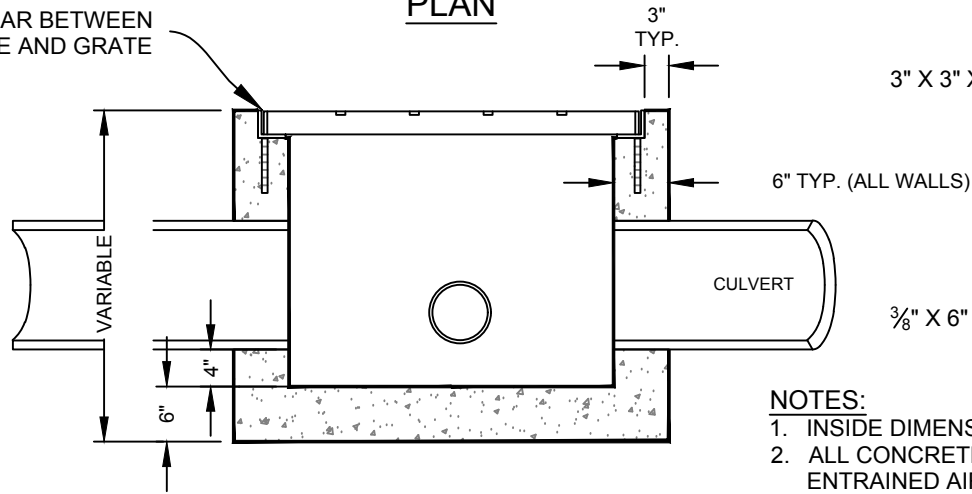


PLAN

1/4" CLEAR BETWEEN
FRAME AND GRATE



SECTION A-A

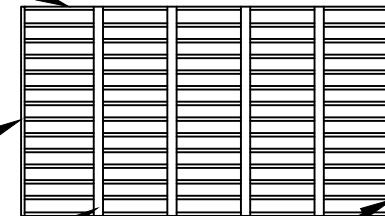
3/8" x 2 5/8" FLAT BARS @ 1 1/2" CTRS

3/8" x 2" FLAT BAR
EACH END

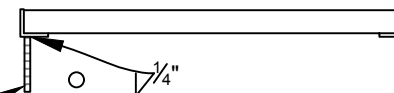
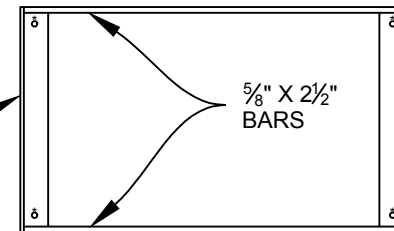
3/8" ROUND OR RECT.
BARS @ 4" CTRS.
WELDED FLUSH WITH
GRATE SURFACE

3" X 3" X 3/8" ANGLE
IRON

3/8" X 6" REBAR EACH
CORNER



BOTH ENDS
ALL BARS 3/16"



GRATE AND
FRAME

NOTES:

1. INSIDE DIMENSIONS SHALL BE 18" x 36" MIN.
2. ALL CONCRETE SHALL BE CLASS 3300 - 3/4", 4-6% ENTRAINED AIR.
3. GRATE AND FRAME STEEL SHALL BE ASTM A36.
4. ALL STEEL REINFORCING SHALL BE ASTM A615.
5. INCLUDE 6" x 3" PIPE STUB WITH CAP, UNLESS NOTED OTHERWISE ON PLANS.
6. SLOPE FINISHED GRADE TO THE DRAIN.

JACKSON COUNTY ROADS

MIKE KUNTZ, P.E.
COUNTY ENGINEER

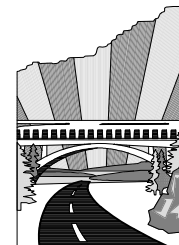
Date	By	Revision

JCRD306:
INTERMEDIATE INLET

\\Engineering\LIBRARY\COUNTY\STD_DWG\CURRENT\RD300-Drainage\JCRD309-Inlet\Intermediate.dwg

OCT 2017

NO SCALE



JACKSON
COUNTY
Roads